

Please read this manual carefully before use and keep it properly for future reference

Please read the instructions carefully:

1. Please read this manual carefully before use and keep it properly for future reference. If you do not read this manual carefully, improper use may cause damage to the shopping cart.
2. Do not use accessories not provided by the manufacturer.
3. Any load on the handle will affect the stability of the shopping cart.
4. Before using the shopping cart, ensure that all locking devices are assembled.
5. Do not use shopping carts in rough areas, near stoves, and other hazardous areas.
6. Avoid using or storing in damp, cold, or high temperature environments, and keep away from sources of fire or a strong heat source.
7. It shall not be used to place dangerous animals that are aggressive or destructive.

Maintenance and upkeep

Please regularly check and maintain your shopping cart, and gently clean the cloth cover to prevent damaged cloth cover.

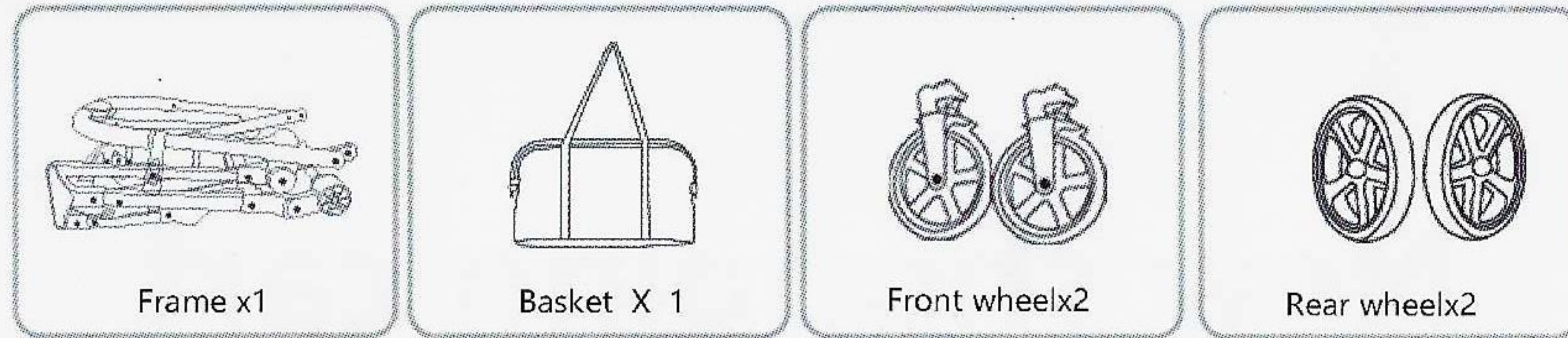
New shopping cart



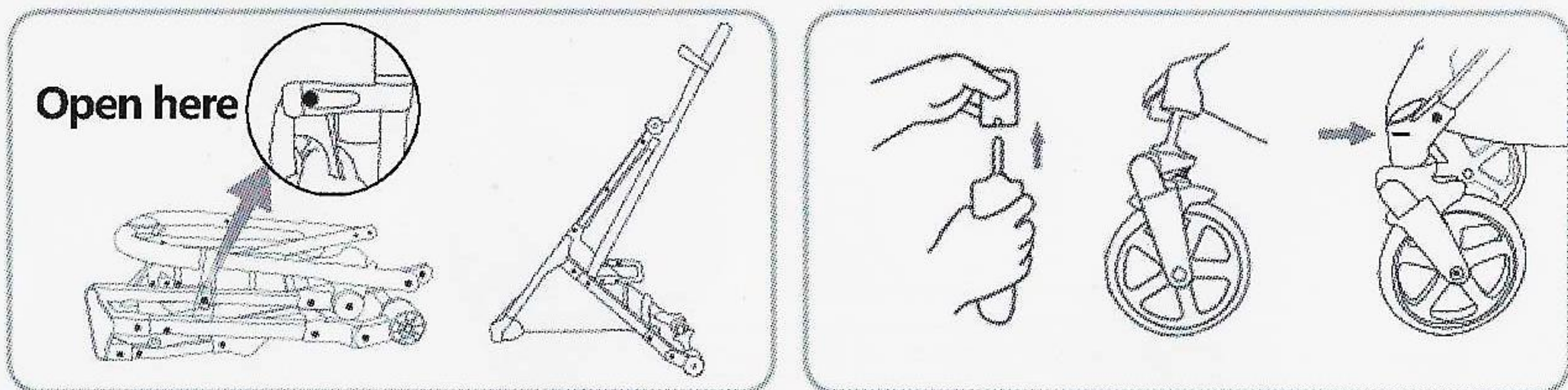
New shopping cart

The pictures are for reference only, please refer to the actual product for details.

Product accessories:



Product assembly:

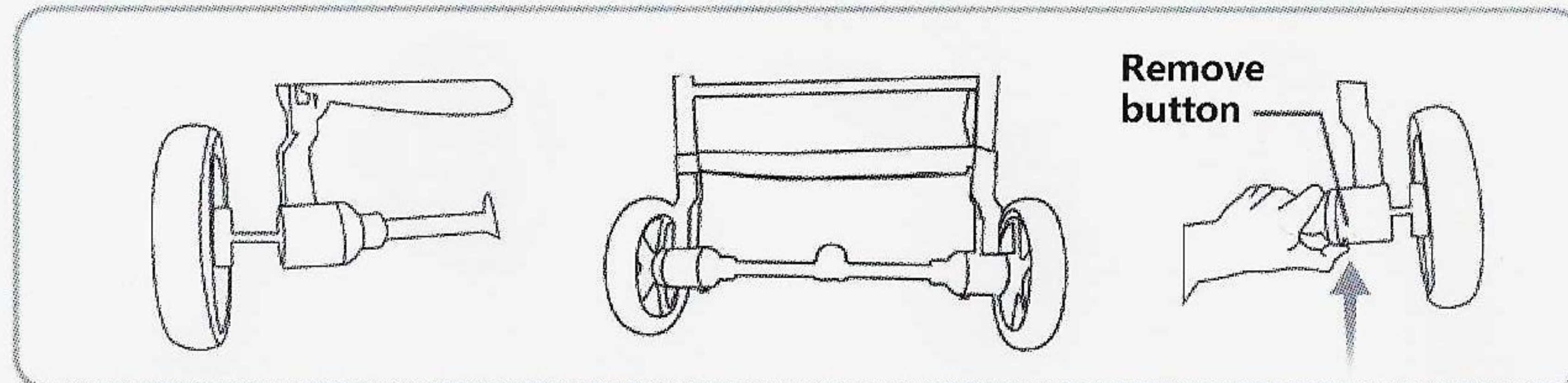


1. Expand the framework

Release the hook and hold the handle with both hands until you hear a click, which means the frame is fully open.

2. Use of front wheels

Insert the front wheel into the wheel seat of the front hole, and then hear a "click" sound to complete the installation. Press and hold the button of the front wheel quick release part and pull it down to remove the front wheel.



3. Use of rear wheels:

Insert the rear wheel into both sides of the rear wheel bearing and the outer shaft hole of the rear wheel. You can hear a "click" sound to confirm successful installation. When disassembly is required, press the buttons on both sides of the bearing separately, and then pull it out outward.

4. Shopping basket usage

Remove the shopping basket from the shopping cart. The shopping basket can be carried by hand or carried on one shoulder, suitable for various occasions.



5. Folding of New Shopping Cart

Remove the shopping basket and simultaneously push the button on the handle and press the button on the inside of the handle. Push and press downwards to complete the folding.

