

# ***PATIO BRUSH 360***

**HIGH-PRESSURE ROTATING CLEANER**



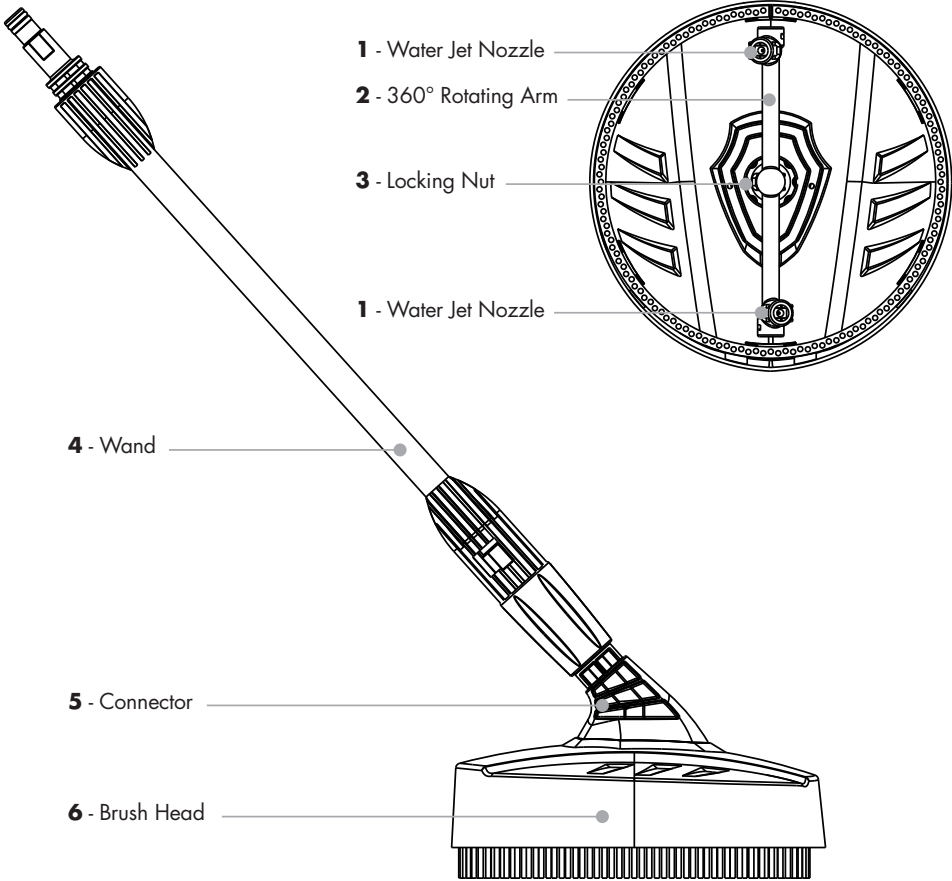
**USER GUIDE**

**IMPORTANT: FOLLOW ALL OPERATIONAL, SAFETY AND WARNING ADVICE ACCORDING TO YOUR HIGH-PRESSURE WASHER USER GUIDE.**

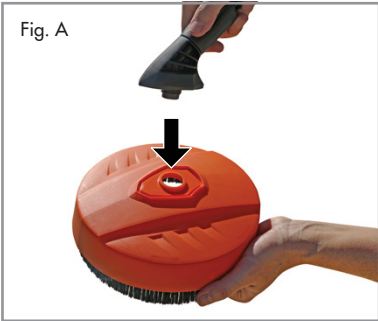
**Maximum pressure: 120 bar/120MPa**

**Maximum temperature: 60°C**

**PRODUCT OVERVIEW**



# ASSEMBLING YOUR PATIO BRUSH 360



- Place the Connector (5) into the hole in the Brush Head (6) as shown in fig. A and B above.



- Securely screw the Locking Nut (3) on the 360° Rotating Arm (2) onto the Connector thread as shown in fig. C above.



- Attach the Wand (4) to the top of the Connector (5) by pushing then turning 90° clockwise as shown in fig. D above.



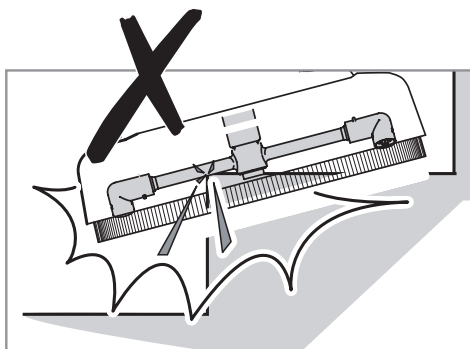
- Tighten the locking sleeve on the Connector by turning anticlockwise as shown in fig. E above.



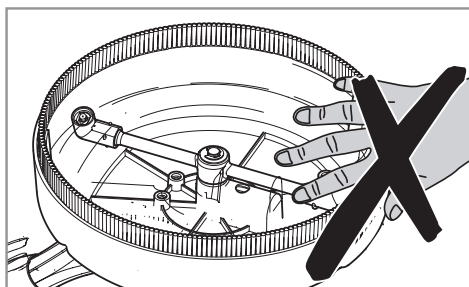
- Join the Wand (4) to the Trigger Gun of your high-pressure washer as shown in fig. F above.

 **WARNING**

- NOT FOR USE FOR CLEANING CARS OR SURFACES WHICH MAY SCRATCH EASILY



- DO NOT ANGLE OVER STEPS



- DO NOT TOUCH THE SPINNING MECHANISM OR WATER JETS IN THE BRUSH HEAD WHILE OPERATIONAL